

# Maple Leaf WHEELCHAIR



*The only limitation is your imagination*

ACCESS  
ACCESS



6540 Tomken Road  
Mississauga ON L5T 2E9  
T 905.564.2250 F 905.564.5424  
1.800.362.0873

[www.mapleleafwheelchair.ca](http://www.mapleleafwheelchair.ca)

## Operating & Service Manual

## TABLE OF CONTENTS

Chair Information & Warranty	1
Warranty Card	2
Chair Maintenance	3
Transporting & Folding	5
Footrests	6
Elevating Legrests	7
Arms	8
Wheels	9
Casters	10
Wheel Locks	11
Anti-Tippers	12
Contact Us	13

## REFERENCE INFORMATION

Serial Number \_\_\_\_\_

Contact Person \_\_\_\_\_

Model Number \_\_\_\_\_

Phone Number \_\_\_\_\_

Description \_\_\_\_\_

Dealer  
Information  
(Name & Address) \_\_\_\_\_

Date Purchased \_\_\_\_\_

Please contact your dealer or Maple Leaf Wheelchair customer service with any questions or concerns you may have with your wheelchair. The above information will help in the process of completing your request.

## LIMITED WARRANTY

Maple Leaf Wheelchair Manufacturing guarantees all parts of our wheelchair to be free of defects in workmanship and materials for a period of two (2) years from date of purchase. "Wear" items such as tires, tubes, armpads and upholsteries are excluded from this warranty.

In addition the frame and crossbraces are guaranteed to be free of defects in workmanship and material (to the original purchaser) for a period of five (5) years from date of purchase.

This warranty is invalid if the chair has been damaged by accident, misuse, neglect, improper application, unauthorized service repair, or the addition of non-factory approved accessories.

Maple Leaf Wheelchair will repair or replace defective parts as required. A return authorization must be obtained and the parts returned to us freight prepaid, within the warranty period. Labour and freight charges incurred for replacements or repairs are not covered.

\*Please fill out the "Maple Leaf Wheelchair Warranty Card" attached, and return the required part to our Maple Leaf Wheelchair facility.

## WARRANTY CARD

Please complete this Maple Leaf Wheelchair Warranty Card and return it to our facility within 30 days of delivery of the equipment. This will assist in initiating your warranty coverage

### Buyer & Dealer Information

Name \_\_\_\_\_

Address \_\_\_\_\_

Phone # \_\_\_\_\_

Email \_\_\_\_\_

Dealer  
Information  
(Name & Address) \_\_\_\_\_

### Product Information

The serial number of your device contains important information. This number will be required should the device need service or replacement parts. Please write down the serial number for future reference.

\*NOTE - The serial number is located on the right side (when seated) of the wheelchair on the lower frame.

Serial # \_\_\_\_\_

Purchase Date  
(M/D/Y) \_\_\_\_\_

6540 Tomken Road  
Mississauga ON L5T 2E9  
T 905.564.2250 F 905.564.5424  
1.800.362.0873

[www.mapleleafwheelchair.ca](http://www.mapleleafwheelchair.ca)



Valued Customer,

Thank you for your purchasing a Maple Leaf Wheelchair product. At Maple Leaf we manufacture top quality "Made In Canada" products, using as many Canadian made materials as possible. Your wheelchair should provide you with many years of service, but like any piece of equipment, it will require proper care and service for it to perform efficiently.

Your satisfaction is necessary and important to us and we want to guarantee it. However we suggest you regularly inspect your chair, checking for loose fasteners, excess play and damage. We also strongly recommend that regular maintenance be done by your service dealer.

Please complete your *Warranty Registration Card* and return it to us at Maple Leaf Wheelchair.

Also please read this manual to help you understand the proper operation, safety and maintenance of your new chair. If you have any difficulties or require additional information contact your dealer or our customer service department at Maple Leaf Wheelchair Manufacturing.

## MAINTENANCE GUIDE

Your wheelchair is designed to give you many years of trouble-free use with proper care. Some servicing can be done at home, but we recommend that periodic maintenance be performed at your dealer. Service frequency depends strongly on the type of use and your dealer can best advise you on the time interval

### CLEANING

All chrome parts can be cleaned with a mild-non abrasive cleaner such as window cleaner. Stubborn spots or rust can be removed with automotive chrome cleaner.

The arms and nylon upholstery should be cleaned with mild soap and water solution. Both should be rinsed well with clean water to remove all soap residues. The molded wheels and casters should also be cleaned with a mild soap and water solution.

### LUBRICATION

Your wheelchair has been made with low friction plastic, aluminum and polished chrome to reduce friction and wear. However a light use of thin lubricant, such as WD40 or silicone spray will reduce friction and wear, making your chair easier to use.

### SAFETY & HANDLING

The safe handling of your chair depends on understanding the purpose and function of your particular wheelchair. Recognizing the chairs; limitations will increase your confidence level.

## MAINTENANCE GUIDE

### LEANING

Leaning should be avoided when possible, as this weight transfer will reduce your chair's stability. When leaning forward or sideways make sure the casters are turned in the direction you are leaning as this will lengthen the wheel base, increasing stability. Also make sure the wheel locks are engaged, to prevent your chair from rolling.

### TIPPING YOUR CHAIR BACK

Tipping the chair is necessary when negotiating curbs and steps. Your chair has a balance point at about 30° when tipped backwards. Tipping with attendant's help should first be practiced before tipping on your own.

With an attendant's help:

- 1) Firmly plant your feet on the footplates, making sure your hands are away from the wheels, then release the brakes.
- 2) Ask the attendant to firmly grip the handle bars, place one foot on the tail tube and tilt the chair back by pulling back on the handle bars and pushing down on the tail tube.

This will rotate the chair around the rear wheel axles allowing the chair to be easily moved forward or backward on the rear wheels.

To return the chair to its' upright position, reverse the procedure, easing the chair down gently.

Without an attendant's help:

To tip yourself, push forward on the handrims while you push back. Keep your knees bent and your back straight. Once you have obtained the balance point, practice maintaining it. This practice is good for maneuvering your chair around obstacles, but with caution.

### MANEUVERING RAMPS, CURBS & STAIRS

Lean forward in chair, putting your weight the over front casters when going up inclines. When going down, do so slowly by controlling your speed using the handrims and not the wheel.

To mount a curb use the tipping method, tip the chair so front casters clear curb height, roll forward placing the front casters on curb then continue to roll forward lifting rear wheels onto curb. To descend a curb it is safest to dismount the curb backward, lowering the rear wheels first. You may also roll yourself forward and down but do so extremely slowly.

DO NOT USE your chair on an escalator. Find the nearest elevator instead. Going up or down stairs should be done with at least two (2) attendants at all times.

### TRANSFERRING IN A WHEELCHAIR

Attendant assistance is recommended to stabilize the chair and help in lifting you, if necessary. Transfers are best accomplished by following these guidelines:

- Use a chair with removable or flip back arms
- Engage your wheel locks to prevent movement
- Position your chair as close as possible to transfer object
- Try to transfer to objects of similar height



## OPERATING GUIDE

### OPENING & CLOSING YOUR WHEELCHAIR

#### To open:

Make sure the wheel locks are disengaged. Then push down on one or both seat rails until they are completely resting on the seat saddles. Your chair is now fully open and ready for use.

#### To close:

Disengage wheel locks and fold both footplates up. (Remove footrests if the chair is going to be transported). Facing your chair take a hold of the seat upholstery at both the front and rear center. Then lift straight up to fold the chair.

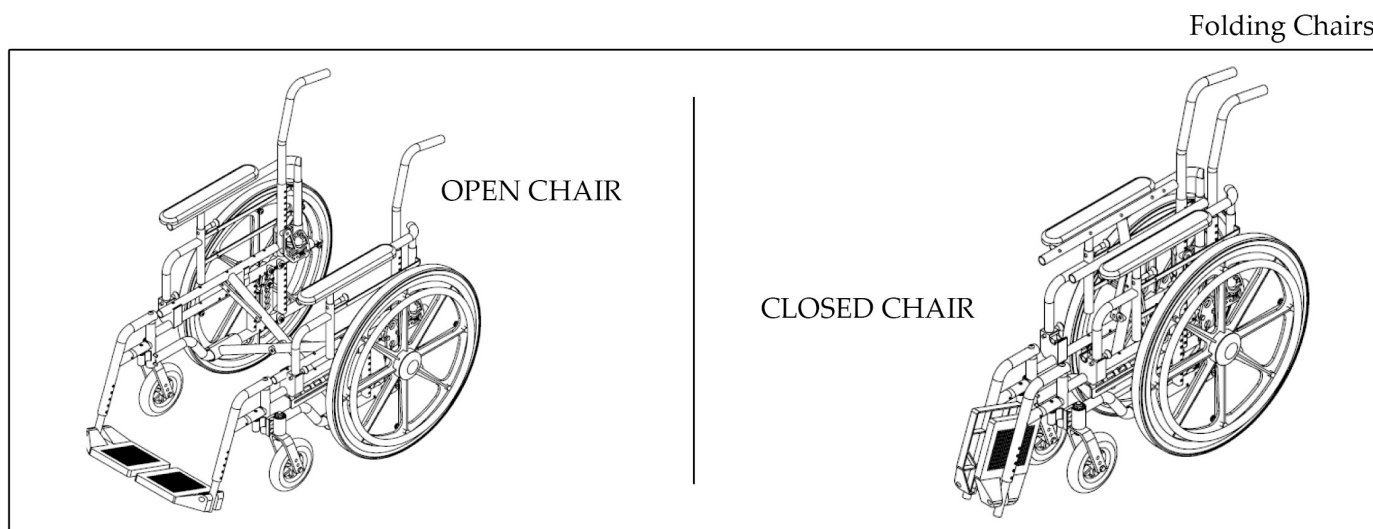


Fig.1

### TRANSPORTING

#### To lift:

First close the wheelchair (use previous instructions). Then engage the wheel locks to prevent wheels from rotating. Finally to lift the chair hold onto the seat rail and push handle. DO NOT lift chair by holding onto any removable or moving parts.

#### Transporting:

For larger vehicles, chair does not have to be closed, but inside the vehicle wheel locks should be engaged to prevent chair from rolling around.

For smaller vehicles or a trunk, it is necessary to close the chair (use previous instructions). Then follow the "To lift" instructions above to place in the vehicle. To make the chair easier to lift or store you can remove the footrests, the arms and the wheels (optional quick release axles).



## OPERATING GUIDE

### FOOTREST

#	Description	Quantity
1	Footplate	2
2	Release Handle	2
3	Mounting Pins	4
4	Pin Holes	4

The footrest on your chair is designed to swing out and remove easily.

Footrest Diagram

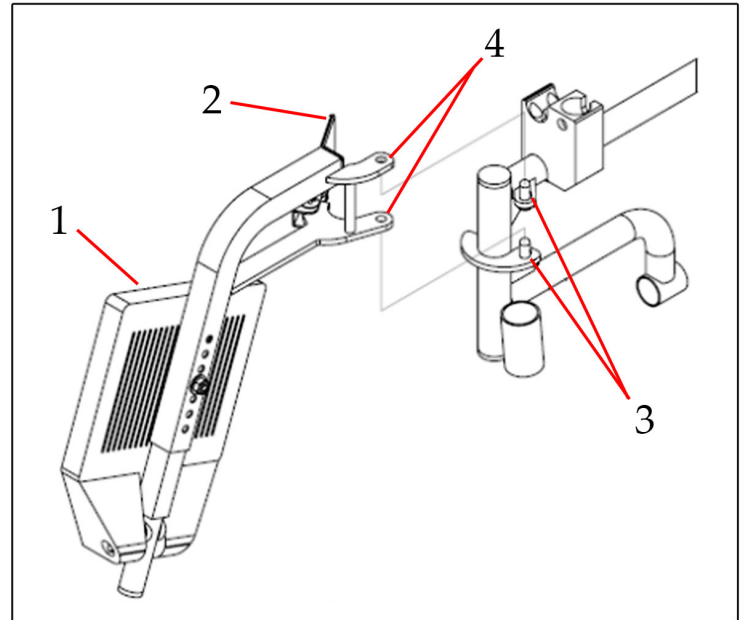


Fig. 2

#### To remove:

- 1) Remove feet from the footplates and fold the footplates (1) up.
- 2) Then pull on the release handle (2) while swinging the footrest to the outside of your chair.
- 3) Remove by lifting it straight up clearing the pin holes(4) from the mounting pins(3)

#### To replace:

- 1) Hold the footrest at the side of your chair
- 2) Insert the pin holes(4) onto the mounting pins(3) \*be sure to allow it to drop all the way in
- 3) Swing the footrest towards the front of the chair, when it hits center it will lock into place.
- 4) Flip down the footplate(1)



## OPERATING GUIDE

### ELEVATING LEGREST

#	Description	Quantity
1	Elevating Locking System	2
2	Release Tab	2
3	Locking Nut	2
4	Legpad	2
5	Locking Pin	2
6	Height Adjustment Swivel Bracket	2
7	Footplate	2

Your legrest is designed to be removed and replaced the same as your footrest. However it is advisable to remove and replace your legrest while the footrest is in a down position. Lifting on the footplate(7) raises the legrest and it will automatically lock at the raised position. Pulling back on the black coated release tab(2) on the elevating locking device(1) lowers the legrest.

To adjust your legrest extension, undo the nut(3) with a 7/16" wrench. Slide down to desired length and then secure the extension by locking into place with the same nut.

Your legpad(4) is adjustable and allows for 3 adjustments. To adjust,

- 1) Pull the legpad(4) forward clearing the locking pin(5) from the slot on the height adjustment swivel bracket(6)
- 2) Slide the legpad(4) to desired adjustment height.
- 3) Push the legpad(4) back inserting the locking pin(5) into the new slot on the height adjustment swivel bracket(6)

Legrest Diagram

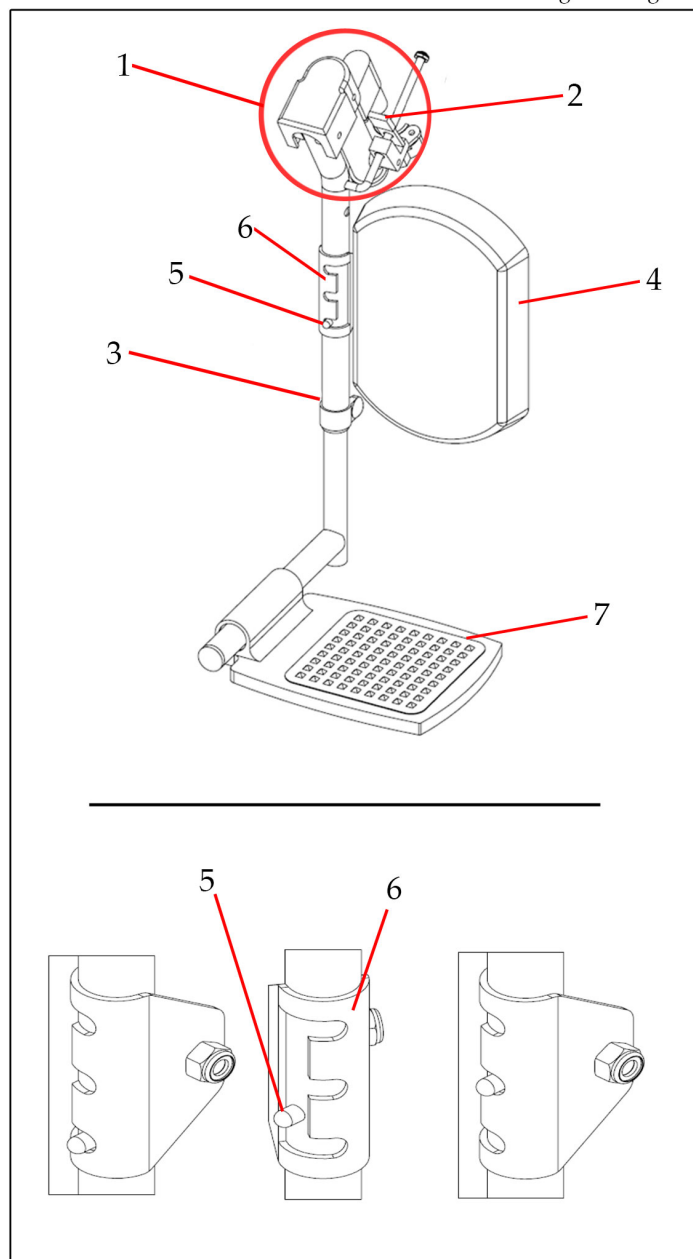


Fig. 3





## OPERATING GUIDE

### Arms - Conventional

#	Description	Quantity
1	Arm Top	2
2	Arm Base	2
3	Height Adjustment Knob	2
4	Arm Removal Knob	2

Your chair has standard fixed height, or adjustable height, removable or flip back arms. Either style may be easily removed from the chair.

To adjust the height

- 1) Pull the height adjustment knob(3) out.
- 2) Slide the arm top(1) to the desired height.
- 3) Release the height adjustment knob(3) will then slide back into the locked position into the closest locking hole

To remove "Removable" arm type

- 1) Pull the arm removal knob(4) out.
- 2) Lift the arm base(2) straight out.

To remove "Flip Back" arm type

- 1) Pull the arm removal knob(4) out.
- 2) Pull the arm base(2) up and back "flipping" it behind the chair back and then pull the arm base straight back

Conventional Arm Type Diagram

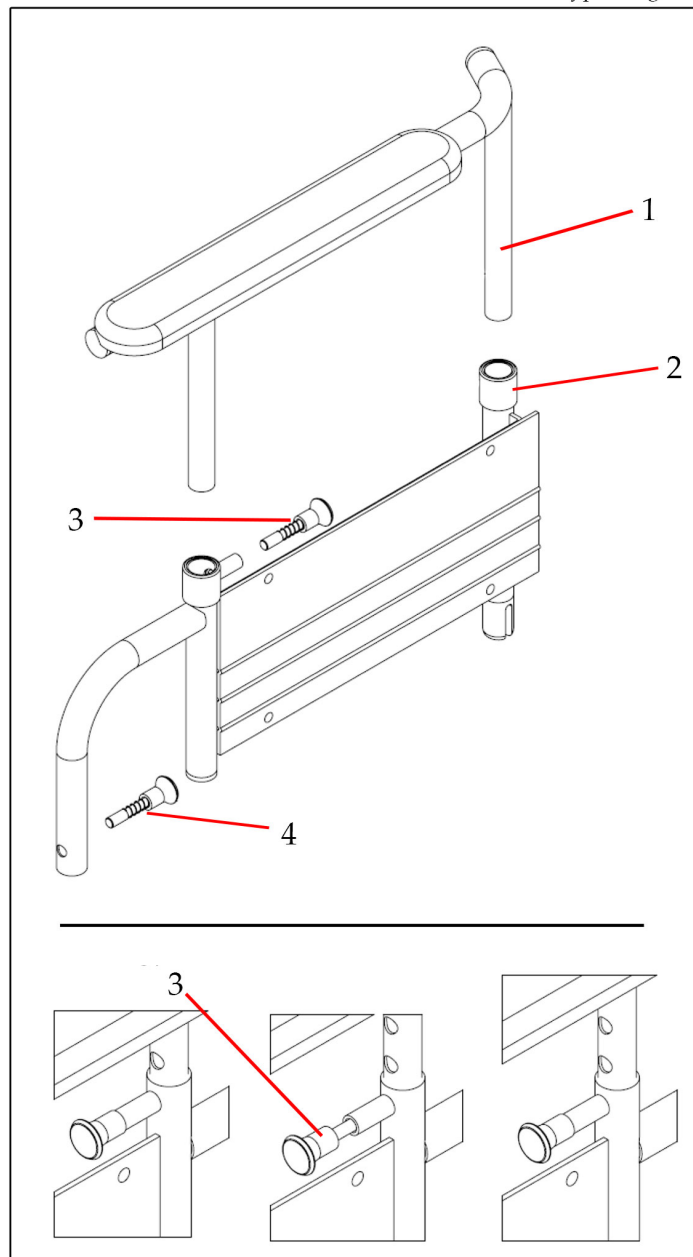


Fig. 4



## OPERATING GUIDE

### Rear Wheels

#	Description	Quantity
1	Nut	2
2	Frame	1
3	Wheel Bearings	4
4	Nylon Wheel	2
5	1/2" x 3 1/2" Axle	2
6	Hub Cap	2

Nylon Wheels Diagram

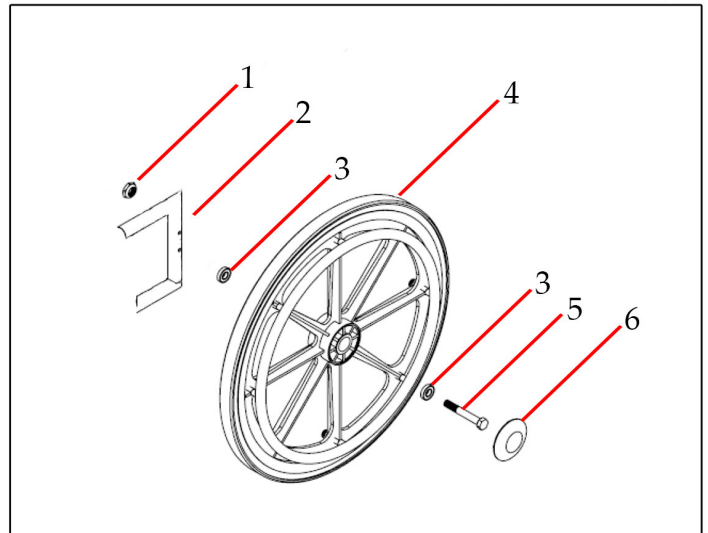


Fig. 5

This chair comes with nylon wheels. They are fitted with sealed precision bearings(3) which require no lubrication. However they may need occasional adjustments due to wear under normal use. Too much side play, looseness or squeaking from your wheel means it needs to be checked. In most cases tightening of the axle bolt(5) will resolve those conditions. Should squeaking and looseness continue, the bearings may need to be replaced. See your servicing dealer for assistance.

## OPERATING GUIDE

### Front Casters

#	Description	Quantity
1	Side Frame	2
2	Caster Housing	2
3	Fork Stem	2
4	Fork Stem Nut	2
5	Caster Fork	2
6	Bearings	4
7	Caster	2
8	Dust Cap	2

Front Caster Diagram

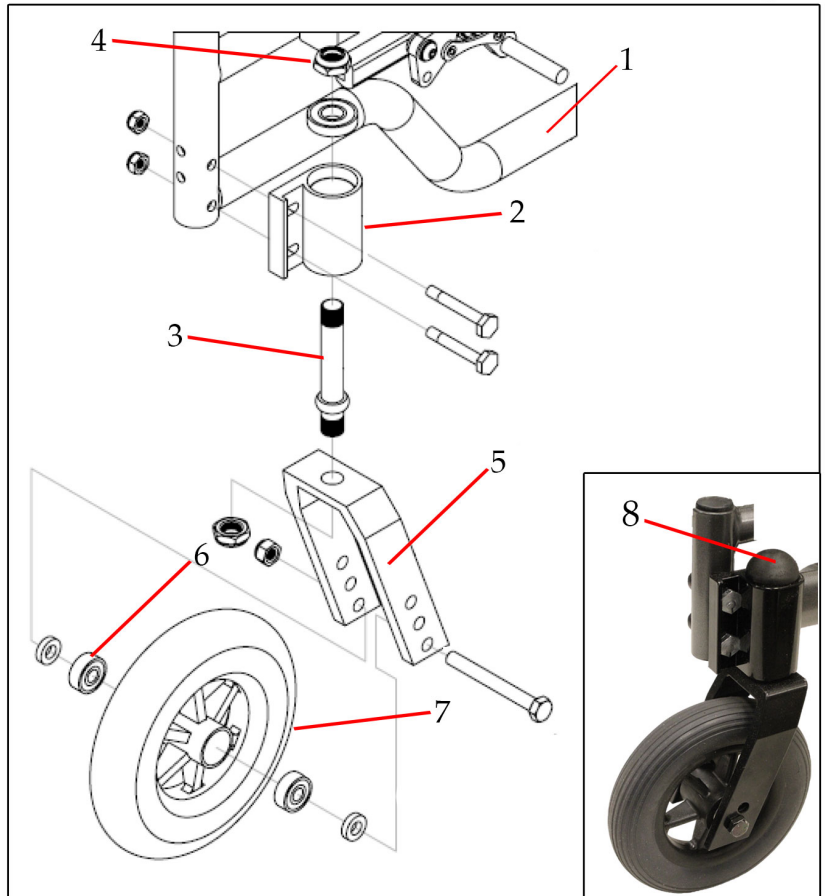


Fig. 6

Your casters(7) are made of injection molded nylon and will not rust. They are also fitted with sealed precision bearings(6) which require no lubrication. If fluttering or pulling is experienced, your fork stem(3) may need adjustment or replacement. To adjust or replace, flip the chair back onto its push handles. Next remove the dust caps(8) from the caster housing(2) with a knife or flathead screw driver. Then tighten the fork stem nut(4) with a 3/4" socket wrench while holding the caster assembly steady. Check for smooth easy turning without side or end play while adjusting. DO NOT overtighten as this may damage the bearings.

Axle adjustment on the caster bearings, although not critical, may also improve performance. The axle nut should be adjusted to produce a smooth free running caster without side play. Again DO NOT overtighten as this will damage the bearings

## OPERATING GUIDE

### Wheel Locks/Tires

#	Description	Quantity
1	Tires	2
2	Brake Shoe	2
3	Brake Handle	2
4	Brake Bar *	2
5	Bracket Bolt	4
6	Brake Clamp *	2
7	5mm Allen Screws	4
8	Steel Brake Assembly*	2
9	Bracket Bolt Key	2

\*Attaching mechanism depends on chair size and material option

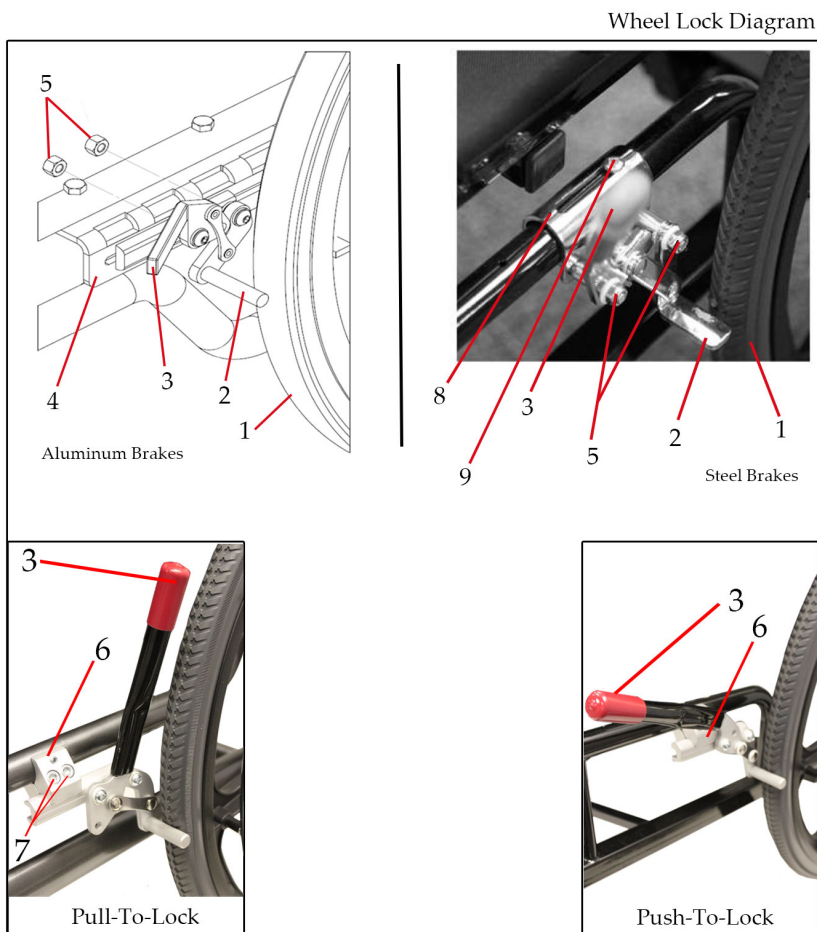


Fig. 12

### Tires

The standard tires on your chair are solid, maintenance free urethane. These tires are reliable, long lasting and provide a very comfortable ride. Your chair may also be equipped with pneumatic tires, these must be regularly checked for wear and proper inflation. Air pressure should not exceed 40psi. Remember heated air expands, and a wheel with 40psi in cold weather will greatly increase outdoors or in the trunk of a car in the hot sun.

### Wheel Locks

The position of the wheel locks are preset at the factory to provide you with the safest performance. However, tire(1) and brake shoe(2) will wear under normal usage, and will require some adjustment to ensure continued safe performance.

To adjust, loosen nuts(5) or allen screws(7) depending on attaching mechanism. Slide the brake assembly towards the wheel. Ensure that the brake hold securely but does not require too much effort to be applied. Then tighten nuts or screws securing the assembly in the appropriate position. A light application of lubrication can enhance performance.



## OPERATING GUIDE

### Anti-Toppers

#	Description	Quantity
1	Release Pin	2
2	Chair Socket	2
3	Housing	2
4	Bolt	2
5	Height Extension Tube	2
6	Anti-Tipper Wheel	4

The anti-tippers are used to prevent your chair from tipping over while in tilt. Although removable, anti-tippers must never be removed when using the chair.

Anti-Tipper Diagram

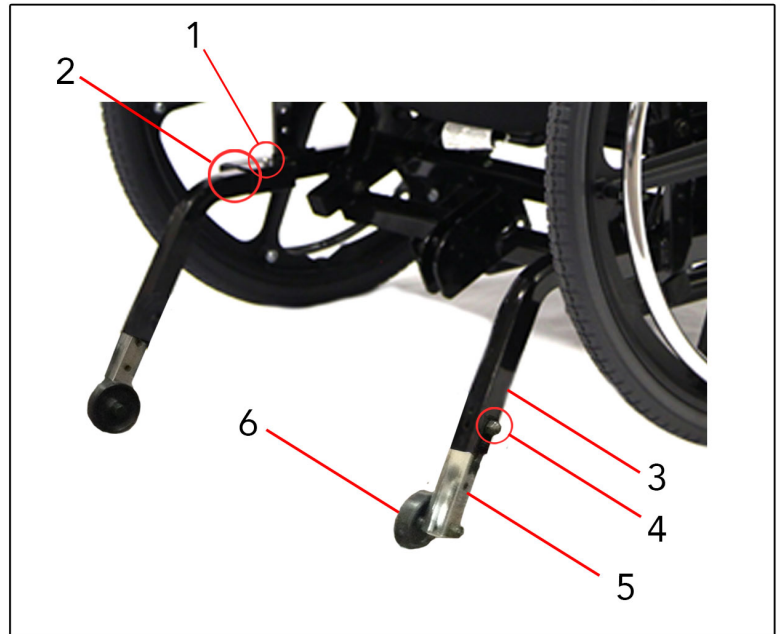


Fig. 8

#### To remove Anti-Tippers:

Press down on release pin(1) and remove the anti-tipper device by pulling it out of the chair socket(2).

#### To adjust the Anti-Tipper height:

Loosen bolt(4) from the housing(3) and slide the height extension tube(5) to the desired height then tighten the bolt

\*Please adjust the Anti-Tippers to a safe height (maximum of 2" from the ground). Whenever the seat height is adjusted by the wheels, be sure to adjust the Anti-Tippers's height as well.



Once again thank you for your purchase of a Maple Leaf Wheelchair. If you have any further questions or concerns, please do not hesitate to contact us directly.



6540 Tomken Road  
Mississauga ON L5T 2E9  
T 905.564.2250 F 905.564.5424  
1.800.362.0873

[www.mapleleafwheelchair.ca](http://www.mapleleafwheelchair.ca)